

Technical Data Sheet

Compressor model **MLY60RAa**
 Voltage **220-240V 50Hz ~1**
 Refrigerant **R404A**

APPLICATION

COMPRESSOR

MOTOR

Application	High-Medium Back Pressure	Displacement	5,98 cm ³	Nominal Power	1/4 hp
Refrigerant	R404A	Diameter	20,88 mm	Voltage/Frequency	220-240V 50Hz
Evaporating Temp.	-25,0 °C to 10,0 °C	Stroke	17,47 mm	Voltage range	187-264 V
Expansion	Capillar/Valve	Net Weight	10,49 Kg	Type	CSIR
Comp. Cooling	Fan cooled	Oil type	ISO VG 32 ESTER	Phase number	1 PH
Max. ambient temp.	43,0 °C	Oil charge	295 cm ³	Locked Rotor Amps (LRA)	11,00 A
				Max. Cont. Current (MCC)	5,00 A
				Main W. resist. at 25°C	7,50 Ω
				Start W. resist. at 25°C	15,85 Ω

NOMINAL PERFORMANCE

APPROVALS

	ASHRAE	CECOMAF
Cooling Capacity	825 kCal/h	761 W
COP	2,15 W/W	1,74 W/W
EER	1,85 kCal/Wh	1,51 kCal/Wh
Input Power	446 W	436 W
Current	2,50 A	2,46 A

TEST CYCLE CONDITIONS

	ASHRAE HMBP (D)	CECOMAF HMBP (C)
Evaporating temp. (T _e)	7,2 °C	5,0 °C
Condensing temp. (T _c)	55,0 °C	55,0 °C
Liquid temp. (T _{liq.})	46,0 °C	55,0 °C
Ambient temp. (T _{amb.})	35,0 °C	32,0 °C
Suction temp. (T _{suction})	35,0 °C	32,0 °C
Voltage/Frequency	220 V 50 Hz	220 V 50 Hz

ELECTRICAL COMPONENTS

Starting capacitor	47- 56 μF 330 V			
Relay	Option 1	Option 2		
Reference	2014 135.	QLZ-5.8A		
Pick-Up	5,80 A	5.8 A		
Drop-Out	4,95 A	4.95 A		
Protector	Option 1	Option 2		
Reference	MRA38145	T0266		
Current	14,90 A	11,00 A		
Time check	2,8-5,2 seg	7,5-14 seg		
Disc temp. (Open/Close)	105,00 / 52,00 °C	105,00 / 52,00 °C		

ASHRAE

Tc °C	Te °C	Cooling Capacity kCal/h	Consumption W	Current A	COP W/W	EER kCal/Wh
40	-25	270	235	1,72	1,34	1,15
40	-20	347	258	1,80	1,56	1,34
40	-15	436	281	1,88	1,81	1,55
40	-10	539	303	1,96	2,07	1,78
40	-5	654	324	2,03	2,35	2,02
40	0	783	344	2,11	2,64	2,27
40	5	924	364	2,18	2,95	2,54
40	7,2	990	373	2,21	3,09	2,66
40	10	1.078	383	2,25	3,27	2,81

45	-25	250	238	1,73	1,22	1,05
45	-20	321	265	1,82	1,41	1,21
45	-15	406	291	1,91	1,62	1,39
45	-10	503	316	2,00	1,85	1,59
45	-5	613	340	2,09	2,09	1,80
45	0	735	364	2,18	2,35	2,02
45	5	871	387	2,27	2,62	2,25
45	7,2	935	397	2,31	2,74	2,36
45	10	1.020	409	2,36	2,90	2,49

50	-25	230	241	1,74	1,11	0,95
50	-20	296	271	1,84	1,27	1,09
50	-15	375	300	1,95	1,45	1,25
50	-10	466	329	2,05	1,65	1,42
50	-5	571	357	2,16	1,86	1,60
50	0	688	384	2,26	2,09	1,79
50	5	819	410	2,36	2,32	2,00
50	7,2	880	422	2,40	2,43	2,09
50	10	962	436	2,46	2,57	2,21

55	-25	210	244	1,75	1,00	0,86
55	-20	270	277	1,87	1,13	0,97
55	-15	344	310	1,98	1,29	1,11
55	-10	430	342	2,10	1,46	1,26
55	-5	529	373	2,22	1,65	1,42
55	0	641	404	2,33	1,85	1,59
55	5	766	433	2,45	2,06	1,77
55	7,2	825	446	2,50	2,15	1,85
55	10	904	462	2,56	2,27	1,96

60	-25	190	247	1,76	0,89	0,77
60	-20	245	284	1,89	1,00	0,86
60	-15	313	320	2,02	1,14	0,98
60	-10	394	355	2,15	1,29	1,11
60	-5	487	390	2,28	1,46	1,25
60	0	594	423	2,41	1,63	1,40
60	5	713	456	2,54	1,82	1,56
60	7,2	770	471	2,60	1,90	1,64
60	10	846	488	2,67	2,01	1,73

CECOMAF

Tc °C	Te °C	Cooling Capacity W	Consumption W	Current A	COP W/W	EER kCal/Wh
40	-25	283	236	1,72	1,20	1,04
40	-20	366	260	1,80	1,41	1,22
40	-15	461	283	1,89	1,63	1,41
40	-10	569	305	1,96	1,87	1,61
40	-5	689	326	2,04	2,11	1,83
40	0	822	347	2,12	2,37	2,05
40	5	967	367	2,19	2,64	2,28
40	7,2	1.035	375	2,23	2,76	2,38
40	10	1.125	386	2,27	2,91	2,52

45	-25	259	239	1,73	1,08	0,93
45	-20	334	266	1,83	1,26	1,08
45	-15	422	292	1,92	1,44	1,25
45	-10	522	318	2,01	1,64	1,42
45	-5	635	343	2,10	1,85	1,60
45	0	761	367	2,19	2,07	1,79
45	5	898	390	2,28	2,30	1,99
45	7,2	963	400	2,32	2,41	2,08
45	10	1.049	413	2,37	2,54	2,20

50	-25	235	242	1,74	0,97	0,84
50	-20	303	273	1,85	1,11	0,96
50	-15	383	302	1,95	1,27	1,10
50	-10	476	331	2,06	1,44	1,24
50	-5	581	359	2,16	1,62	1,40
50	0	699	387	2,27	1,81	1,56
50	5	830	413	2,37	2,01	1,73
50	7,2	891	425	2,42	2,10	1,81
50	10	973	439	2,47	2,21	1,91

55	-25	210	245	1,75	0,86	0,74
55	-20	271	279	1,87	0,97	0,84
55	-15	344	312	1,99	1,10	0,95
55	-10	429	344	2,11	1,25	1,08
55	-5	527	376	2,23	1,40	1,21
55	0	638	406	2,34	1,57	1,36
55	5	761	436	2,46	1,74	1,51
55	7,2	819	449	2,51	1,82	1,57
55	10	896	466	2,58	1,92	1,66

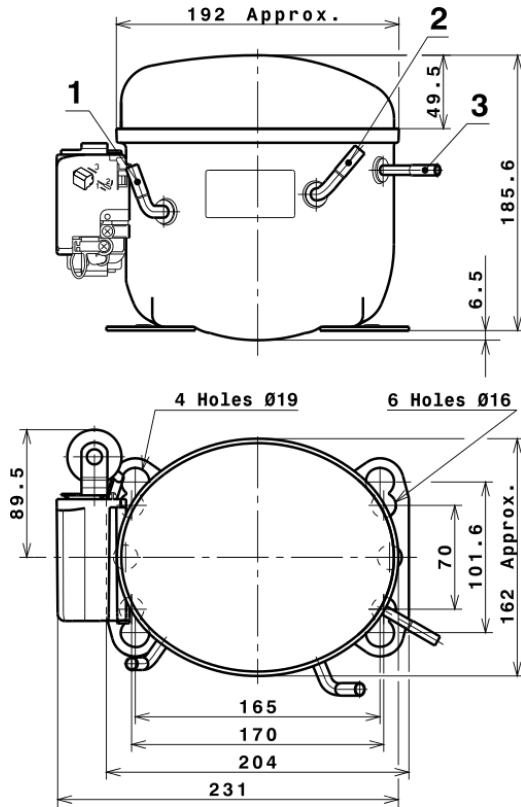
60	-25	186	248	1,77	0,75	0,65
60	-20	239	285	1,89	0,84	0,72
60	-15	305	322	2,03	0,95	0,82
60	-10	383	357	2,16	1,07	0,93
60	-5	474	392	2,29	1,21	1,04
60	0	577	426	2,42	1,35	1,17
60	5	692	460	2,55	1,51	1,30
60	7,2	747	474	2,61	1,58	1,36
60	10	820	492	2,69	1,67	1,44

EN12900

X	Cooling Capacity (W)	Consumption (W)	Current (A)	Mass Flow (kg/h)
1	1.320,7289267491	193,2791297761	1,5009639262	23,392503826761
2	39,8548031623	-1,2194405171	-0,0057463199	0,84469738966251
3	-13,0091149210	4,1032906136	0,0162158295	-0,020299460559634
4	0,2364351600	-0,0103989761	0,0000210386	0,011108915361928
5	-0,3222657107	0,1394189289	0,0005633879	0,00089830989827554

Equation	$x_1 + x_2Te + x_3Tc + x_4Te^2 + x_5TeTc$
----------	---

COMPRESSOR DIMENSIONS

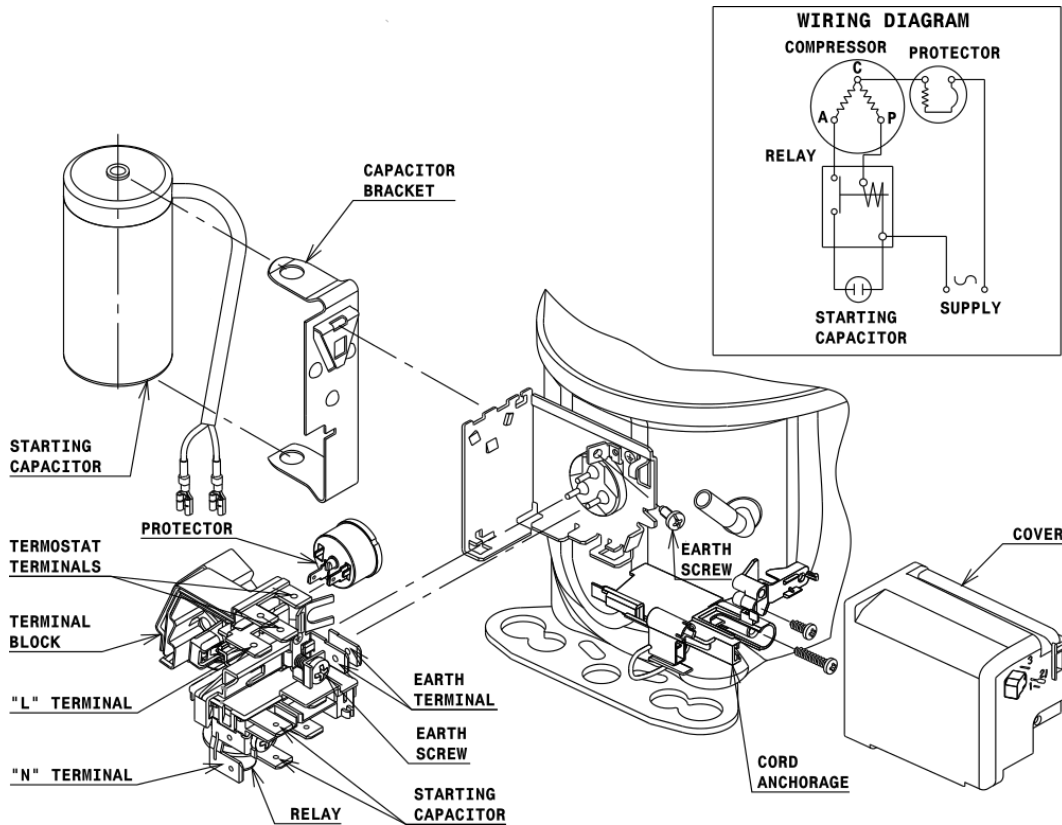


DESIGNATION INTERNAL DIAM.

DESIGNATION	INTERNAL DIAM.
1 Suction	6,5 mm
2 Service	6,5 mm
3 Discharge	4,9 mm

WIRING DIAGRAMS AND ELECTRICAL ASSEMBLY

CSIR CONNECTION (L, P ranges)



Technical Data Sheet

FIXINGS



SILENT BLOCKS (MOUNTING ACCESSORIES)

STANDARD

Ø16 holes (170x70 net)



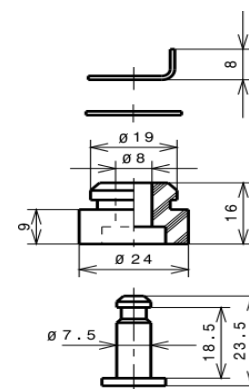
AMERICAN FEET

Ø19 holes (165x101.6 net)



SNAP-ON

Ø16 holes (170x70 net)



SOA

SOA R404A HMBP

